

# KITCHEN SINKS

## Sinks are available in Cast and Thermoformed range

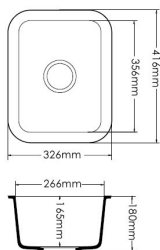
Solid surface Cast Sinks and Thermoformed sinks can give your kitchen a smooth and seamless appearance which is non-porous, easy to maintain and hygienic.

Colour match sinks: thermoformed sinks are available in Tristone colours (UK stock colours only) which gives your kitchen seamless and integrated designs. Not only does it give your kitchen a unique and personal touch, it is also hygienic and easy to maintain.



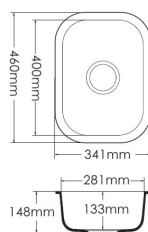
## KITCHEN | CAST SINKS

### MODEL | A1121



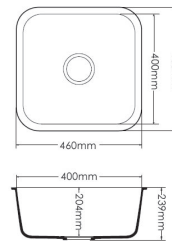
Available in: Ivory, Pearl

### MODEL | A1131



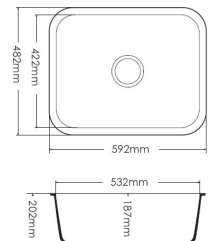
Available in: Ivory, Pearl

### MODEL | A1181



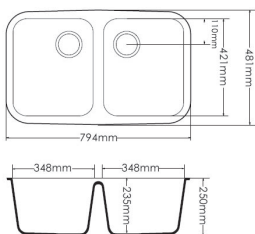
Available in: Ivory, Pearl, Bright White

### MODEL | A1231



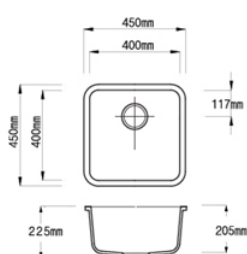
Available in: Ivory, Pearl

### MODEL | A2311



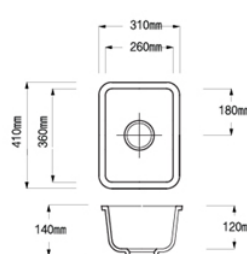
Available in: Pearl

### MODEL | JK104



Available in: Pure White

### MODEL | JK105



Available in: Pure White



Limited availability: A1121, A1131, A1181, A1231, A2311

SOLE DISTRIBUTOR of Tristone



Unit 1 Orde Wingate Way  
Primrose Hill Industrial Estate  
Stockton-on-Tees  
TS19 0GA

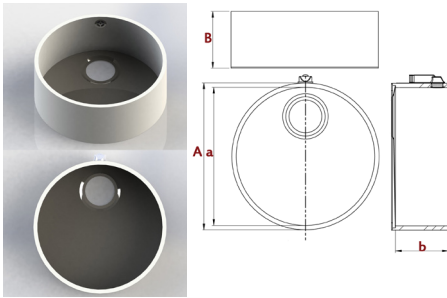
For more information:  
Tel: 01642 616880  
Email: [info@tristoneuk.com](mailto:info@tristoneuk.com)

## 4 SIMPLE STEPS TO ORDER

1. Choose your Tristone surface Colour
2. Pick a sink model(s)
3. Select type of Base:  
stainless steel or Solid surface base\*
4. Select with / without overflow

- Thermoform sinks are COLOUR MATCH sinks
- Available in all Tristone UK stock colours
- Made to order (average of 10-14 working days lead time)
- Base options available:  
Stainless Steel (standard) & Solid Surface base\*

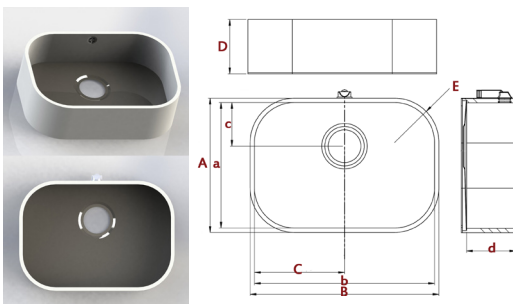
## MODEL | TK



Model	A	a	B	b
TK0199	223	199	103	95
TK0380	404	380	156	145

All measurements are in mm.

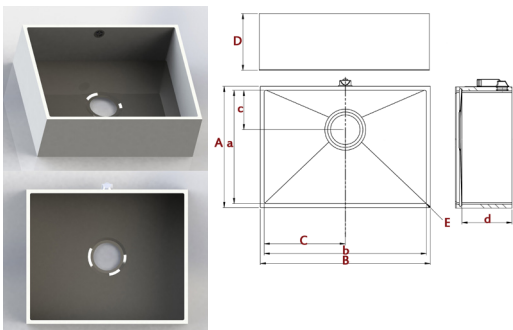
## MODEL | CTK



Model	A	a	B	b	C	c	D	d	E
CTK0162	324	300	186	162	81	150	107.5	95	R72
CTK0162-352	376	352	186	162	81	176	107.5	95	R72
CTK0240	374	350	264	240	120	175	107.5	95	R72
CTK0332	442	418	356	332	166	120	147.5	135	-
CTK0375	444	420	399	375	187.5	85	147.5	135	-
CTK0400	424	400	424	400	200	120	147	135	-
CTK0450	424	400	474	450	225	200	148	135	-
CTK0495	369	345	519	495	247.5	120	149.5	135	R122
CTK0550	504	480	584	550	275	90	246	230	-

All measurements are in mm.

## MODEL | DTK



Model	A	a	B	b	C	c	D	d	E
DTK0162	324	300	186	162	81	150	173	167	-
DTK0332	442	418	356	332	166	120	173	167	-
DTK0375	444	420	399	375	187.5	120	173	167	-
DTK0400	424	400	424	400	200	120	173	167	-
DTK0450	424	400	474	450	225	120	173	167	-
DTK0495	369	345	519	495	247.5	120	173	167	-
DTK0500	436	412	524	500	250	125	173	167	-
DTK0550	504	480	574	550	275	120	240	234	-
DTK0800	424	400	824	800	400	120	240	234	-

All measurements are in mm.

Please contact our office for detailed model diagrams.

SOLE DISTRIBUTOR of Tristone



We reserve the right to update specifications without notice. Please check with our office for latest colour information.

\* Solid surface base: sinks with steaming hot water taps/kettle taps are recommended to have stainless steel base. Please note that no warranty is given on solid surface base.

Model diagrams are available in PDF, DXF, STEP formats.

Cast sink models - A1121, A1131, A1181, A1231, A2311 are subject to availability.